



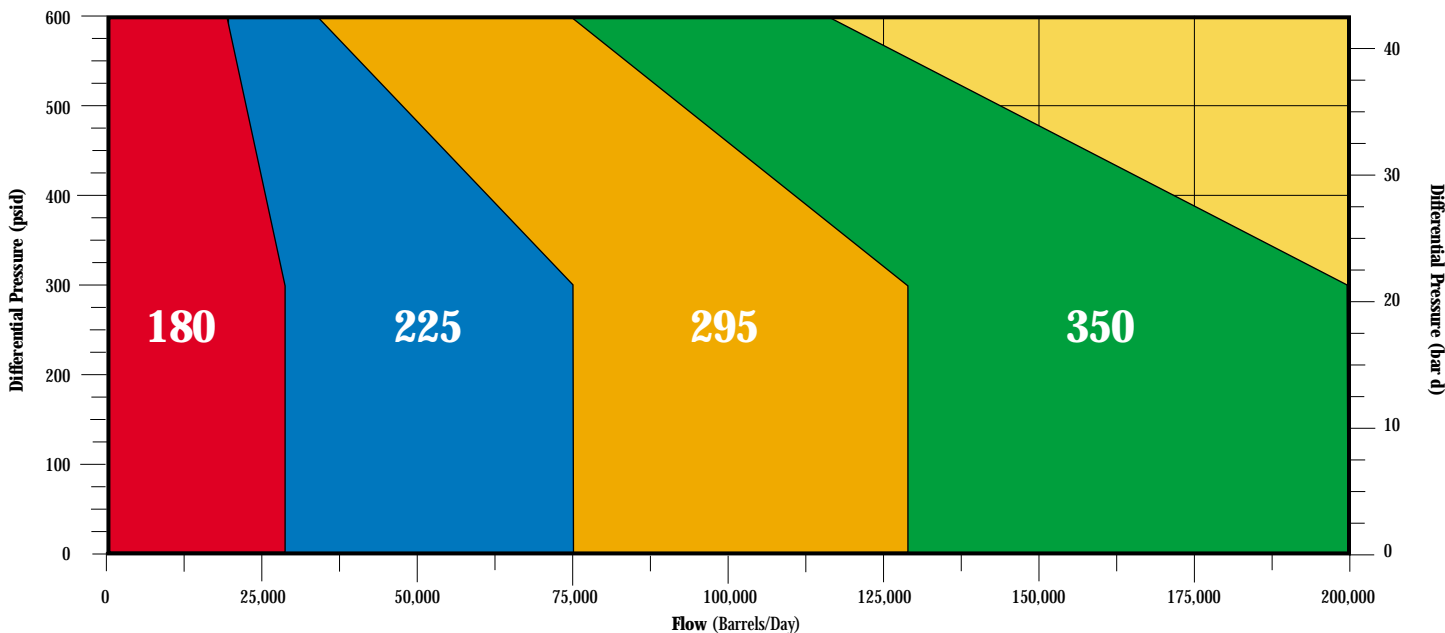
Warren Pumps
ALL-PHASE™ 2000 Series
Two-Screw Multiphase Pumping System



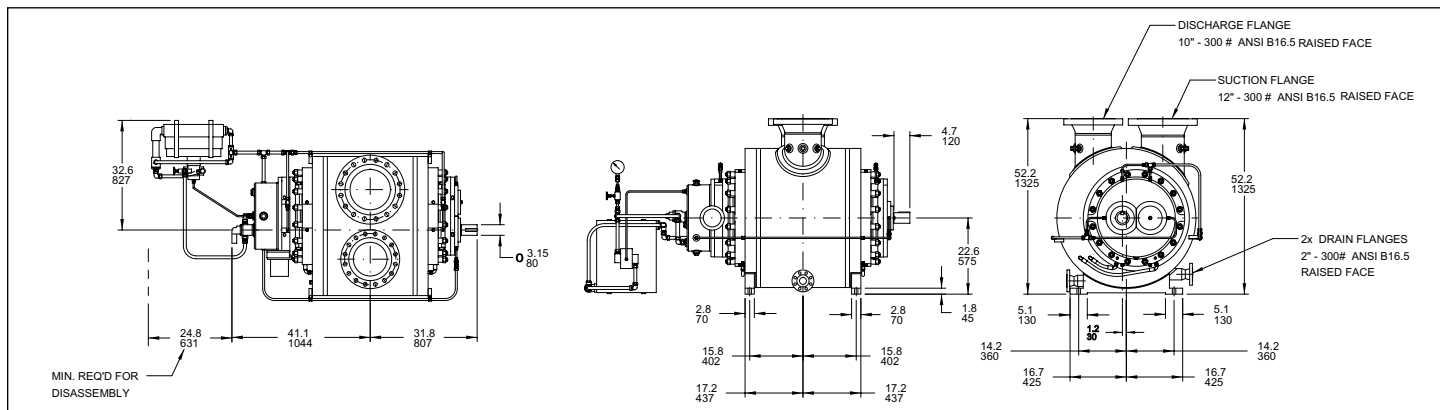


All-Phase™ 2000 Series Two-Screw Multiphase Pumping System

MPP 320 Quick Selection Chart - 1500 rpm



- Lowers wellhead pressure resulting in higher flow rates and increased production
 - † Up to 600 psi (differential)
 - † Inlets to 700 psi
 - † 200,000 Barrels per Day
- Handles high gas volume fractions and slugging (up to 100%)
- Significantly reduces up-front capital costs in design and permitting requirements
- Optimal for both well drawdown and pipeline boost for onshore and offshore applications
- Complete “flange-to-flange” complex systems are provided to match customer requirements
- Customized control package ensures that the pump always operates at optimum performance



Proud Members Of



Calgary Office • 5918 5th Street, S.E. • Unit 14 • Calgary, Alberta • Canada T2H 1L4 • Ph. 403-353-7491

Warren Pumps Inc. • 82 Bridges Ave. • PO Box 969 • Warren, MA 01083-0969 USA

Ph. 413-436-7711 • Fax 413-436-5605 • www.warrenpumps.com • email: warrensales@colfaxcorp.com

WP 6/02 2M